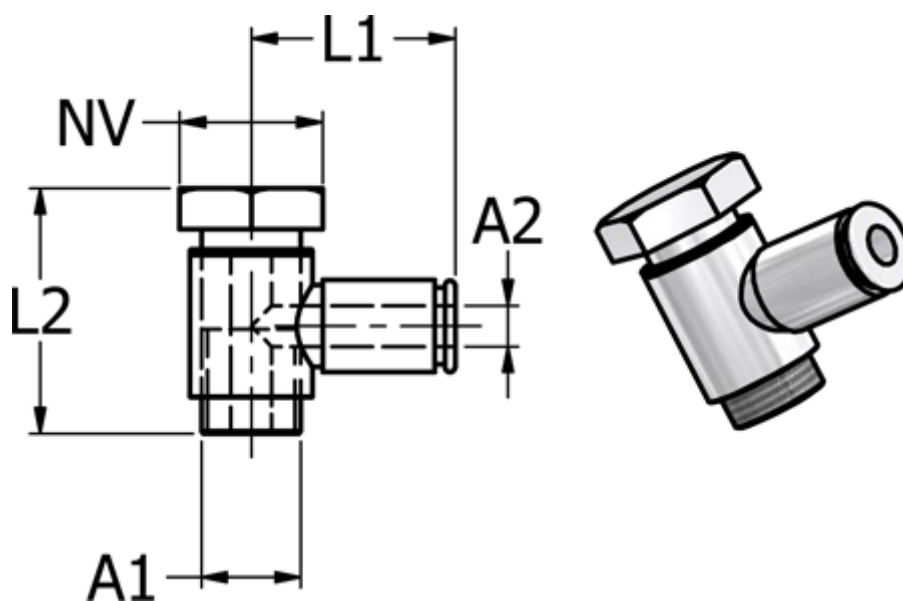


Article number: 5868630186

Description: Metal Push-in fitting 863.018-6, Ø6 / G 1/8"
Elbow swivel with FPM O-ring

Measures



| | |
|-----------------------|----------|
| Ext. hose diameter A2 | = 6 |
| L1 | = 23 |
| L2 | = 28 |
| NV | = 14 |
| Thread A1 | = G 1/8" |